

DOLMAR

24" HEDGE TRIMMER

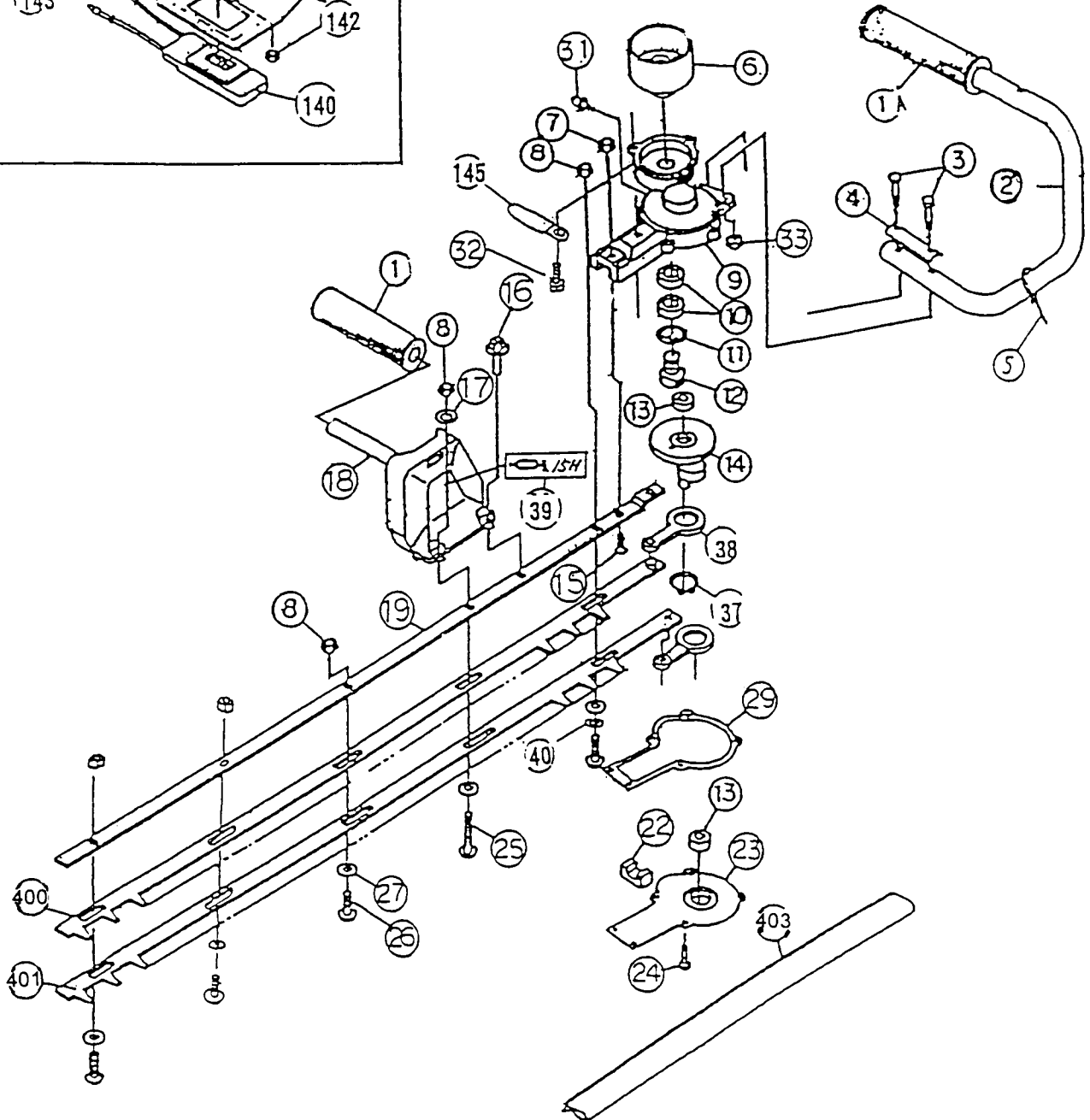
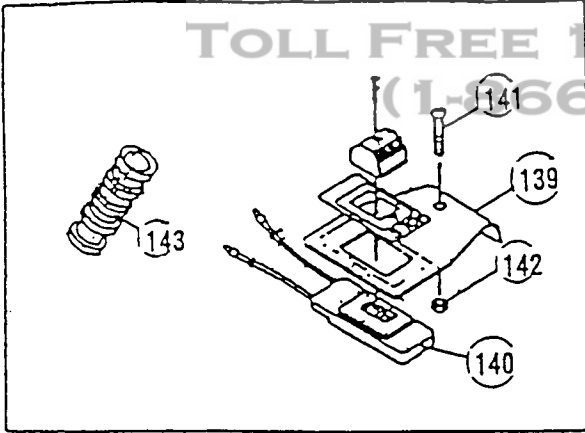
MODEL HT2062E



SHELBY AL

35143

TOLL FREE 1-8-MOWERPART
(1-866-937-7278)



7031 HIGHWAY 47

SALE

TOLL FREE 1-800-POWERPART

(1-866-937-278)

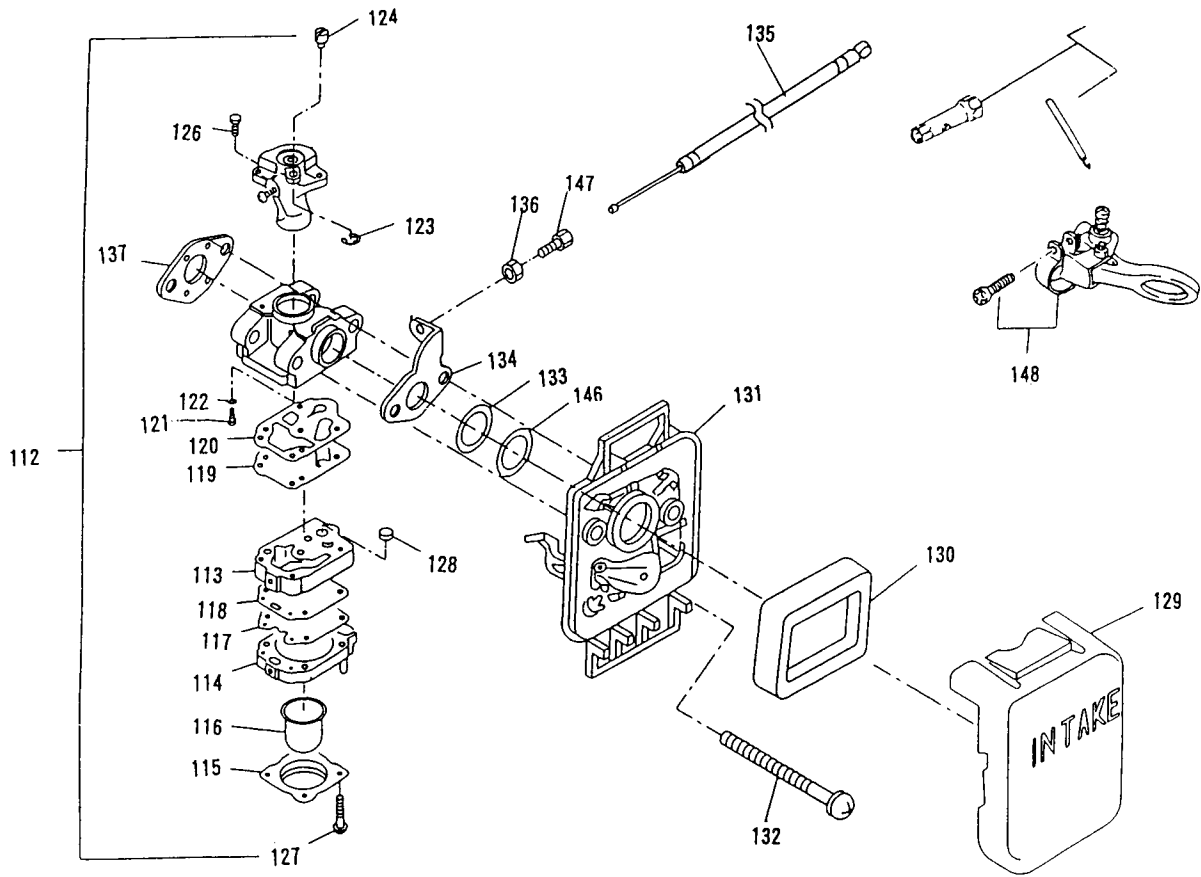
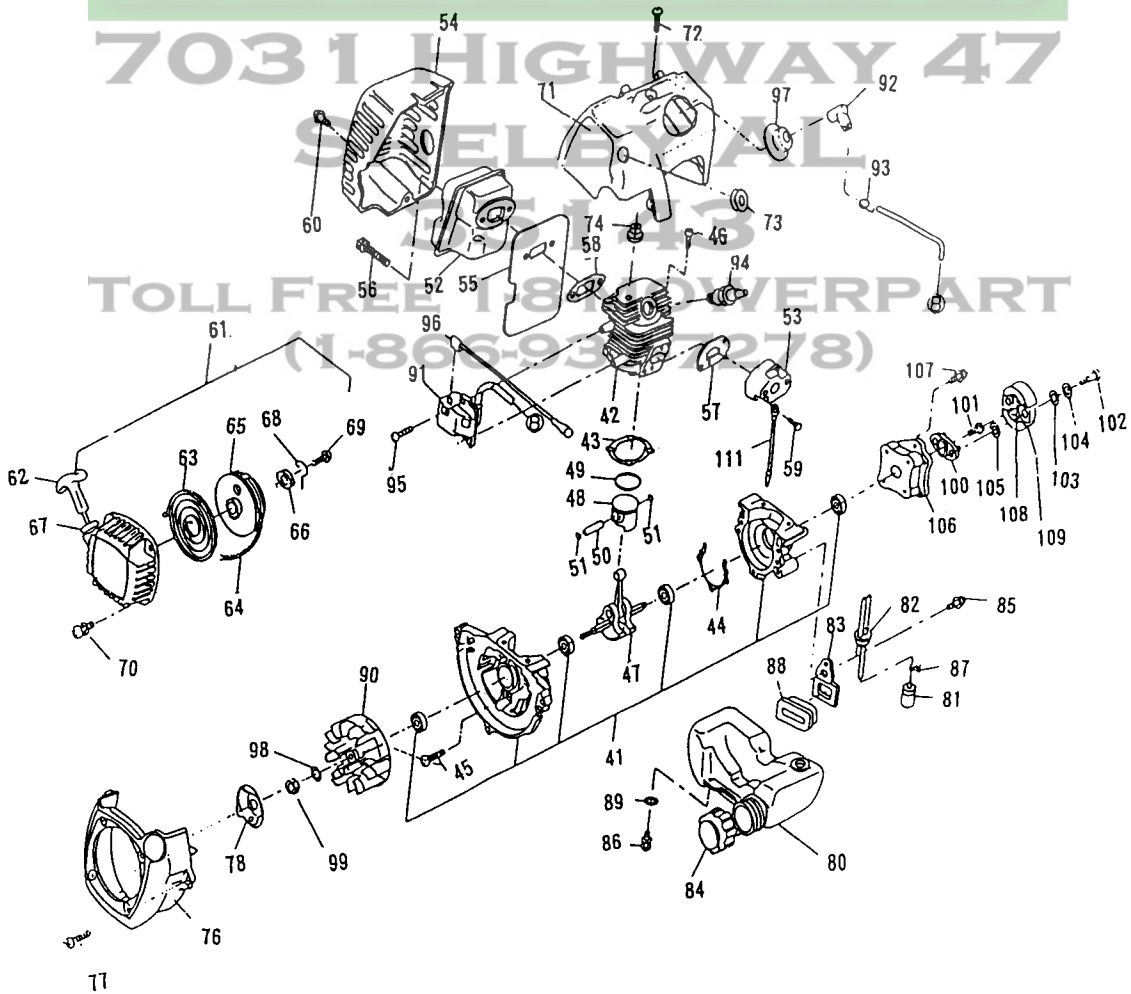


Fig.	Part No.	Qty. Used	Description	Fig.	Part No.	Qty. Used	Description
1	008-34500-00	1	GRIP	66	519-50021-10	1	COLLAR
2	286-11400-3A	1	HANDLE (left)	67	525-50010-40	1	DAMPER
3	040-05025-1K	2	HEX.BOLT	68	519-50021-00	1	SWINGARM
4	136-10300-00	1	HANDLE FITTING	69	519-50020-60	1	SET SCREW
5	610-55003-00	1	BAND	70	004-37041-20	4	SCREWASS'Y
6	136-14100-00	1	DRUM COMPLETE	71	519-55009-00	1	CYLINDER COVER
7	164-05000-0K	2	HEX. U-NUT M5	72	014-00594-90	1	SCREW
8	164-06000-0K	5	HEX. U-NUT M6	73	525-75003-00	1	GROMMET
9	286-10000-2A	1	CRANK CASE	74	550-35030-01	1	SPACER
10	354-06001-0K	2	BALL BEARING 6001 2RS	76	519-55008-00	1	BLOWER HOUSING
11	282-02800-0K	1	RETAINING RING RTW-28	77	015-00599-80	3	TAPPING SCREWM5x20
12	286-10400-4A	1	PINION GEAR	78	519-55000-00	1	PULLEY
13	353-00608-0K	2	BEARING 608ZZ	80	519-60110-00	1	FUEL TANK CPL
14	286-10300-4A	1	GEAR CRANK ASS'Y	81	523-65039-00	1	FILTER
15	031-05016-0K	2	C.S.H. SCREW	82	085-11499-50	1	TUBE
16	055-06018-1K	1	HEX.BOLT	83	519-65002-01	1	FUEL TANK PLATE
17	207-06010-4A	1	WASHER	84	531-60150-00	1	FUEL TANK CAP
18	136-19000-00	1	HANDLE (right)	85	004-36051-00	1	SCREWASS'Y
19	286-10500-9A	1	BLADE SUPPORT BAR	86	615-15007-00	2	TAPPING SCREW
22	286-11200-4A	1	FELT	87	085-11699-70	1	HOSE CLAMP
23	286-10100-3A	1	CASE LID	88	519-65003-01	1	DAMPER
24	054-05012-0K	6	HEX. BOLT M5x12	89	003-10050-00	2	WASHER M5
25	040-00400-9A	1	BLADE SLIDING SCREW	90	519-70030-13	1	FLYWHEEL
26	040-00200-9A	4	BLADE SLIDING SCREW (L=19)	91	519-70030-21	1	COIL
27	008-25000-00	5	BLADE SLIDING WASHER	92	065-50099-40	1	PLUG CAP
29	286-10200-3A	1	CASE PACKING	93	065-40099-31	1	PLUG CAP SPRING
31	055-00010-0R	1	GREASING NIPPLE	94	065-01497-50	1	SPARK PLUG BM4A
32	054-06015-0K	3	HEX. BOLT M6x15	95	014-00499-20	2	SCREWASS'Y M4x20
33	150-05000-0K	2	NUT M5	96	525-70180-01	1	WIRE CPL
37	283-02600-0K	1	RETAINING RING STW-26	97	519-75000-02	1	PLUG CAP COVER
38	286-11300-4A	2	ROD	98	003-10080-00	1	WASHER
39	052-24600-4A	1	GREASE SEAL	99	017-30899-90	1	LOCK NUT
40	221-06000-0K	1	WASHER	100	519-85001-00	1	HOLDER
41	519-10060-00	1	CRANK CASE ASS'Y (Incl.Fig.44,45)	101	620-20060-00	1	BOLT ASS'Y
42	519-15006-01	1	CYLINDER	102	625-25004-00	2	CLUTCH BOLT
43	519-15003-01	1	CYLINDER GASKET	103	003-10080-00	2	WASHER
44	519-15004-00	1	CRANKCASE GASKET	104	020-00899-11	2	WASHER M8
45	014-00595-00	3	P.H. SCREW M5x25	105	620-25006-00	2	WASHER
46	011-90597-30	2	SOCKET HEAD BOLT M5x20	106	118-12400-00	1	SPACER
47	519-20030-01	1	CRANK SHAFT CPL	107	014-0059-450	4	SCREW M5X18
48	519-25008-00	1	PISTON	108	525-80010-10	1	CLUTCH SPRING
49	519-25006-00	1	PISTON RING	109	525-80040-10	2	CLUTCH SHOE
50	519-25005-00	1	PISTON PIN	111	616-55002-01	1	WIRE
51	056-50899-70	2	CLIP	112	519-60120-00	1	CARBURETOR (Incl.Fig.113-124,126-128)
52	519-30020-02	1	EXHAUST MUFFLER	113	523-60461-30	1	PUMP BODY ASS'Y
53	521-30010-00	1	INSULATOR COMPLETE	114	*	1	AIR PURGE BODY ASS'Y
54	519-35002-01	1	MUFFLER COVER	115	*	1	PRIMER PUMP COVER
55	519-35003-01	1	MUFFLER INSULATOR	116	524-60011-50	1	PRIMER PUMP
56	011-90596-00	2	SOCKET HEAD BOLT M5x45	117	531-60052-50	1	METERING DIAPHRAGM ASS'Y
57	523-35039-02	1	INSULATOR GASKET	118	523-60460-40	1	METERING DIAPHRAGM GASKET
58	501-35002-00	1	GASKET (Muffler)	119	524-60010-40	1	PUMP DIAPHRAGM
59	014-00594-00	2	SCREWASS'Y	120	524-60010-30	1	PUMP GASKET
60	014-00595-50	1	SCREW M5X14	121	525-60240-20	1	JET
61	519-50030-03	1	REWIND STARTER (Incl.Fig.62-69,78)	122	524-60010-10	1	O RING
62	522-50040-20	1	STARTER KNOB	123	531-600-5120	1	RING
63	519-50020-50	1	SPIRAL SPRING	124	523-60180-40	1	SWIVEL
64	525-50160-20	1	STARTER ROPE	126	520-60080-30	2	PAN HEAD SCREW
65	519-50020-30	1	REEL	127	523-60460-10	4	PUMP COVER SCREW
				128	501-60040-10	1	INLET SCREEN
				129	520-30040-30	1	AIR CLEANER COVER

*PART NOT AVAILABLE INDIVIDUALLY

Fig.	Part No.	Qty. Used	Description	Fig.	Part No.	Qty. Used	Description
130	520-30040-10	1	AIR FILTER	143	152-13700-4A	1	TUBE
131	525-30040-10	1	AIR CLEANER HOUSING	145	056-60599-80	1	CLAMP
132	004-33056-00	2	SCREW ASS'Y M5X60(w/w)	146	525-65012-00	1	GASKET
133	525-65011-00	1	O RING	147	521-60080-10	1	CABLE ADJUST SCREW
134	525-65001-00	1	CABLE BRACKET	148	625-50040-00	1	CONTROL LEVER
135	063-00499-00	1	CONTROL CABLE	ACCESSORIES			
136	531-60054-50	1	CABLE ADJUST NUT	400	286-10700-9A	1	UPPER BLADE
137	510-35028-00	1	SPACER GASKET	401	286-10900-9A	1	LOWER BLADE
139	136-11500-00	1	SWITCH STAY	402	501-90010-00	1	TOOLKIT
140	008-37300-00	1	SWITCH ASS'Y	403	028-11200-9A	1	BLADE COVER
141	016-05025-0K	1	SCREW M5X25 (w/sw)				
142	150-05000-0K	1	NUT M5				

4MODEL HT2062E

01-00